

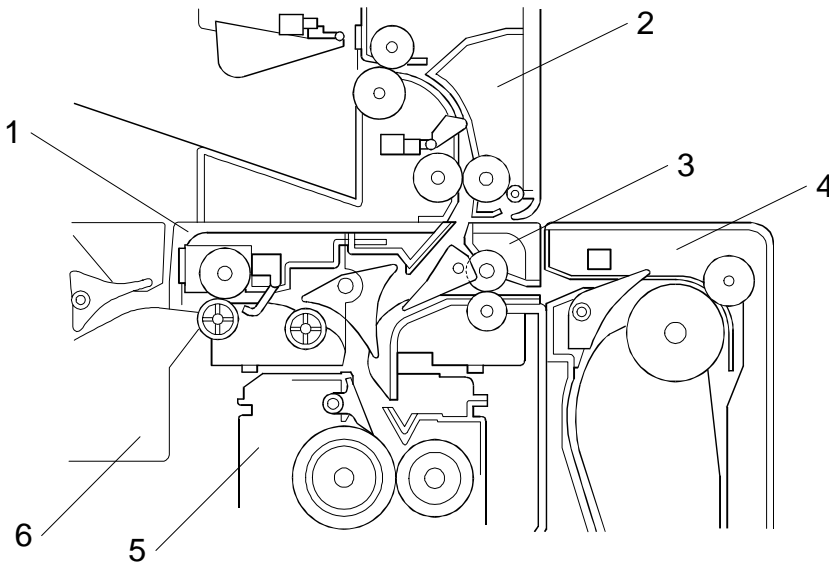
INTERCHANGE UNIT
(Machine Code: A690)

1. OVERALL MACHINE INFORMATION

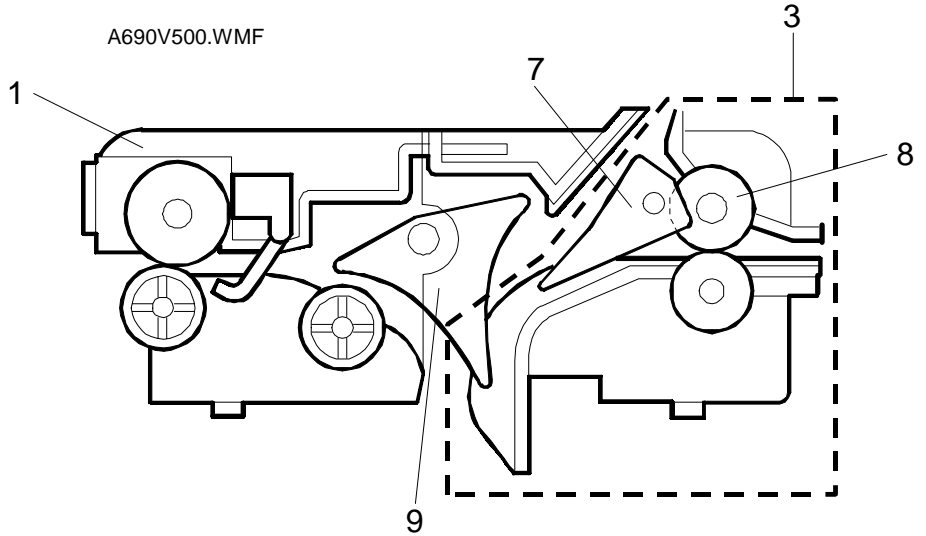
1.1 SPECIFICATIONS

Paper Size:	Standard sizes A6 lengthwise to A3 HLT to DLT Non-standard sizes Width: 100 to 305 mm Length: 148 to 432 mm
Paper Weight:	52 g/m ² ~ 135 g/m ² , 16 lb ~ 36 lb

1.2 MECHANICAL COMPONENT LAYOUT



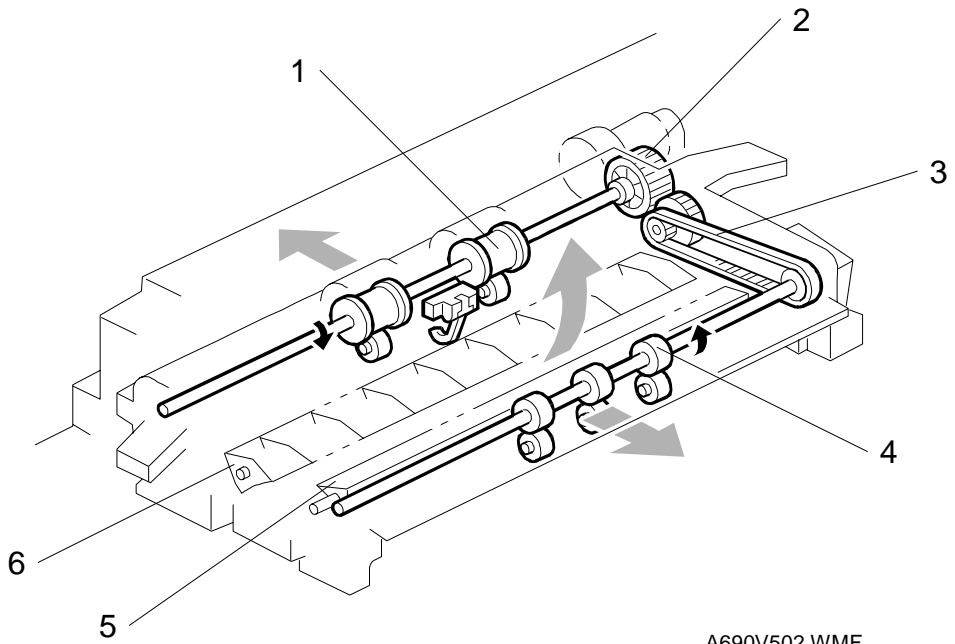
A690V500.WMF



A690V501.WMF

- | | |
|------------------------------------|---|
| 1. Exit Unit (Inside the Copier) | 6. Bridge Unit (Option) |
| 2. 1-bin Tray (Option) | 7. Duplex Junction Gate |
| 3. Interchange Unit | 8. Exit Roller |
| 4. Duplex Unit (Option) | 9. Exit Junction Gate (Inside the Copier) |
| 5. Fusing Unit (Inside the Copier) | |

1.3 DRIVE LAYOUT

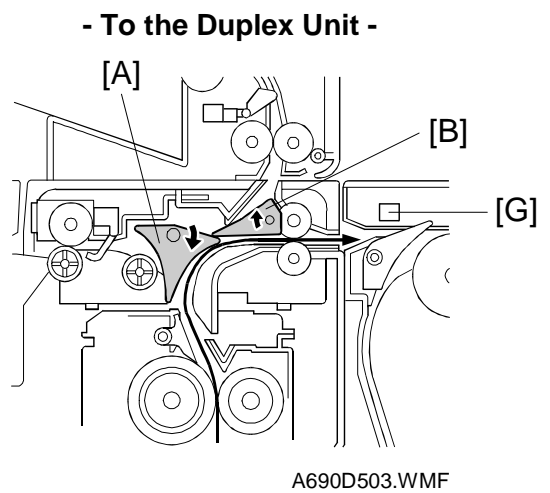
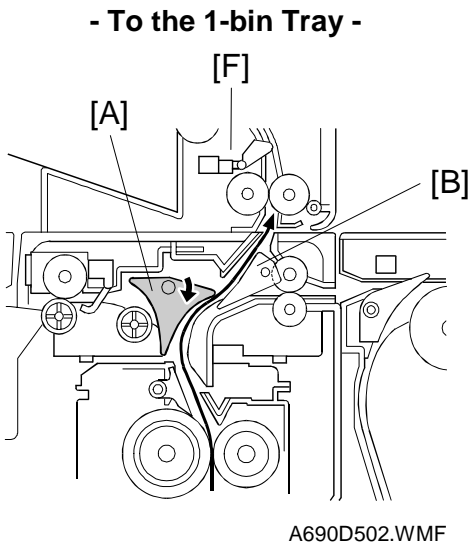
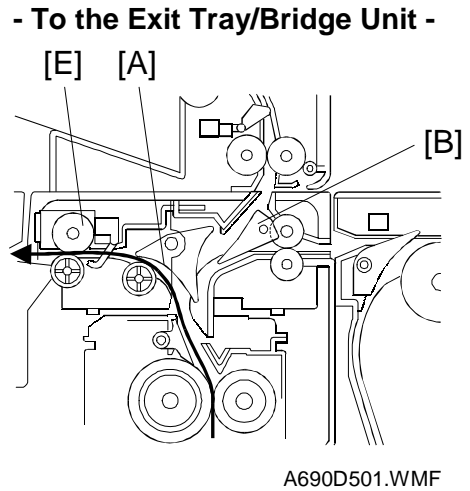
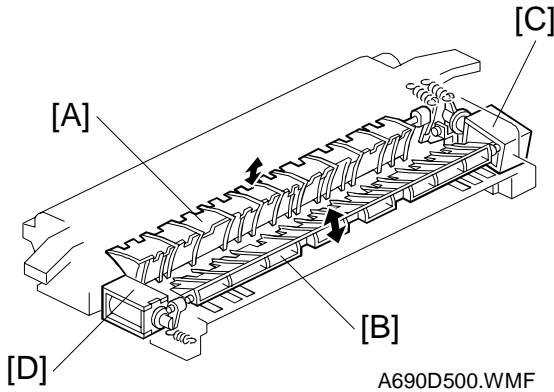


A690V502.WMF

- | | |
|--|--|
| 1. Exit Roller (Copier Exit Unit) | 4. Exit Roller |
| 2. Exit Unit Drive Gear (Copier Exit Unit) | 5. Duplex Junction Gate |
| 3. Exit Roller Drive Belt | 6. Exit Junction Gate (Copier Exit Unit) |

2. DETAILED DESCRIPTION

2.1 JUNCTION GATE MECHANISM



Depending on the selected mode, the copies are directed up, left, or right by the exit junction gate [A] in the copier and the duplex junction gate [B]. These are controlled by the exit junction gate solenoid [C] and the duplex junction gate solenoid [D].

To the Exit Tray or Bridge Unit (for the Upper Tray, Left Tray, or Finisher)

The exit junction gate solenoid stays off and the copy paper is directed to the copier exit unit [E].

To the 1-bin Tray

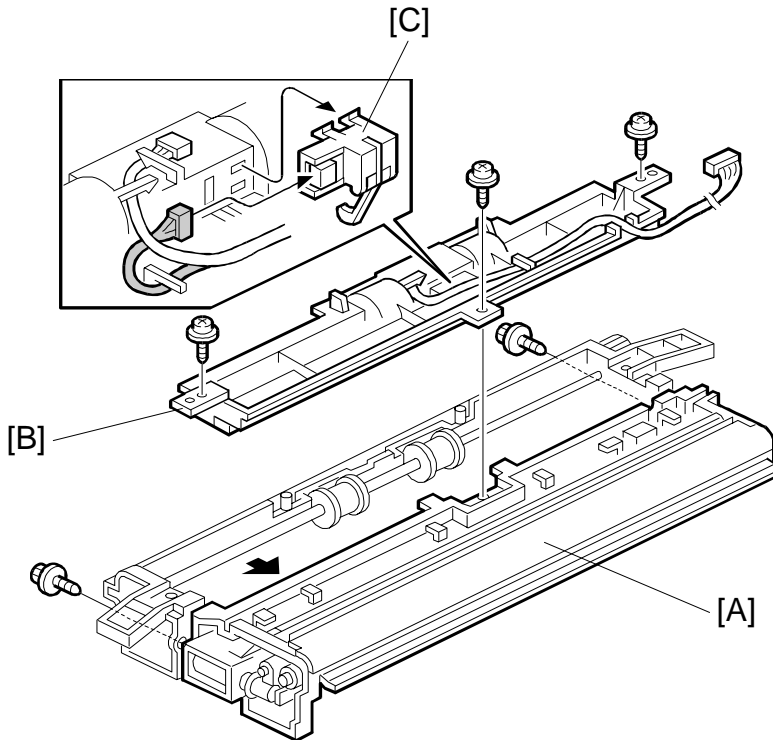
The exit junction gate solenoid turns on and the duplex junction gate solenoid stays off. The copy paper is directed to the 1-bin tray [F].

To the Duplex Unit

The exit junction gate solenoid and the duplex junction gate solenoid both turn on and the copy paper is directed to the duplex unit [G].

3. REPLACEMENT AND ADJUSTMENT

3.1 EXIT SENSOR (COPIER) REPLACEMENT



A690R500.WMF

1. Remove the scanner unit from the copier.
2. Remove the upper cover of the copier exit unit.
3. Remove the exit unit.
4. Remove the interchange unit [A] (2 screws).
5. Remove the interchange unit upper cover [B] (3 screws).
6. Replace the exit sensor [C] (1 connector).